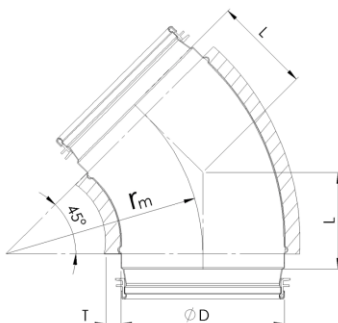


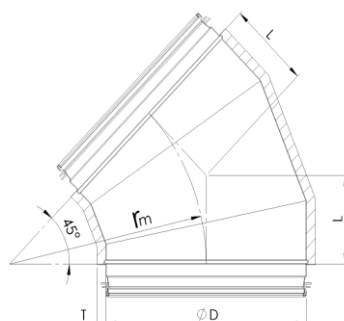
Pre-insulated bends, with gaskets IF-BFS45°



Extruded



Segmented



Description

Insulated air duct bends for ventilation, conditioning and recuperation applications. The insulation provides excellent sound insulation, heat insulation and protects against condensation. Factory-applied insulation significantly reduces on-site assembly time

Technical data

Construction	Pressed or segmented bend, made of galvanized steel or other metal Covered with 9 mm thick flexible elastomeric foam (FEF) insulation Seals are made of EPDM rubber
Connection	Male-Male type end connection
Installation	Screws, rivets
Colors	Black

Dimensions

Type	ØD _{nom} [mm]	r _m [mm]	L [mm]	m [kg]
IF09-BFS45-100*	100	100	41	0,23
IF09-BFS45-125*	125	125	52	0,33
IF09-BFS45-160	160	160	66	0,61
IF09-BFS45-200	200	200	82	0,87

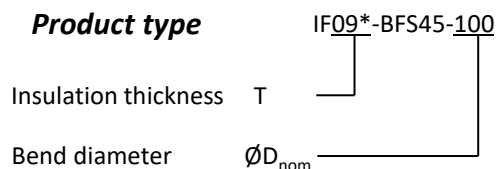
*Extruded

When making a special order, bends are available in other sizes

Technical specifications

Essential characteristics	Operating properties	Testing standard
Thermal conductivity coefficient (for all thicknesses)	-10°C- 0,034 W/m × K 0°C- 0,036 W/m × K 25°C- 0,037 W/m × K 40°C- 0,041 W/m × K	EN 12667
Fire reaction	B- s3, d0	EN 13501-1
Working temperature	-40°C to 85°C	

Product type



**When making a special order, the insulation is available in other thicknesses*